

## Weighing machines

**HIGH  
CAPACITY  
&  
SMALL  
FOOTPRINT**

**NEWTEC** WEIGHING  
MACHINE  
**4015B2**



### 4000B2 Series

4009B2, 4012B2, **4015B2**

#### Application:

Washed fruits and vegetables such as:

- Potatoes
- Carrots
- Onions
- Capsicums
- Citrus
- Similar fruits and vegetables

#### Advantages:

- High weighing accuracy: Typical giveaway: less than 0.2%
- High speed – up to 90 portions/min. at 2 kg
- Flexible system to handle large as well as small fruits and vegetables
- Gentle product handling with low drop height
- Quick dismantling and assembly of weigh pans
- Easy access for cleaning and service
- Small footprint
- WebServices enabled for remote servicing and for capturing production data
- MachineLink enabled – from only one touchscreen, either on our Weighing Machine or Check Point, recipe change and start/stop for both machines is possible.

# Weighing machines

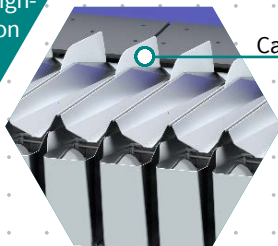
## NEWTEC WEIGHING MACHINE 4015B2

EASY ACCESS FOR CLEANING AND SERVICE

Option for carrots



**Model 4015B2G**  
for carrots with special feature for optimal alignment and distribution of the carrots



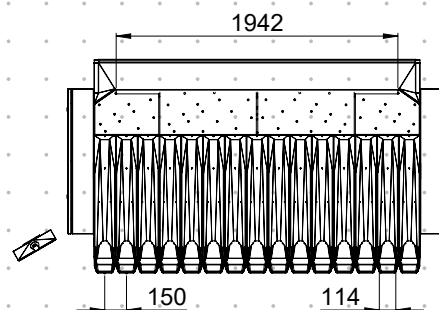
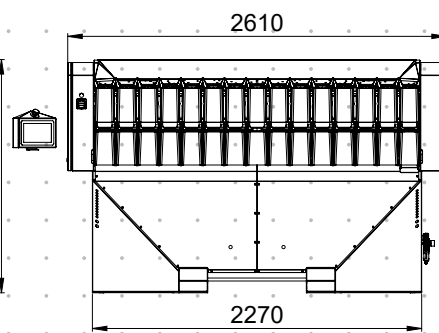
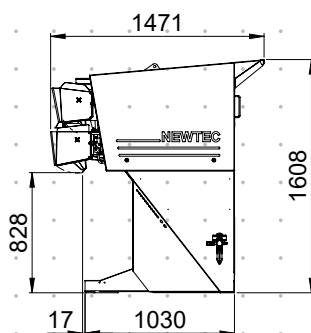
Carrot divider



### Newtec software

- Intuitive user interface
- Informative and upgradable
- Same user interface on all Newtec weighing and packing machines

<b>Capacity</b>	0.5 kg	1 kg	2.5 kg	5 kg
<b>Portions per min. up to:</b>	110	95	85	55



### Weighing machine with 15 channels

- Speed:** High speed – up to 90 portions/min. at 2 kg
- Capacity:** 0.5-5 kg (depending on product)
- Weigh pan volume:** 3 L
- Material:** According to the EU rules on food contact materials
- Protection class:** IP54
- Air requirement:**
- Connection: 3/8"
  - Min. pressure: 6 bar (0.6 Mpa)
  - Consumption: 100 NL/min.
- Electrical requirement:** 3x230 VAC or 3x400 VAC (N) PE 50/60 Hz 3-6 kW
- Environment:** 5°C – 40°C
- Weight:** 850 kg (excl. portion collection system)